

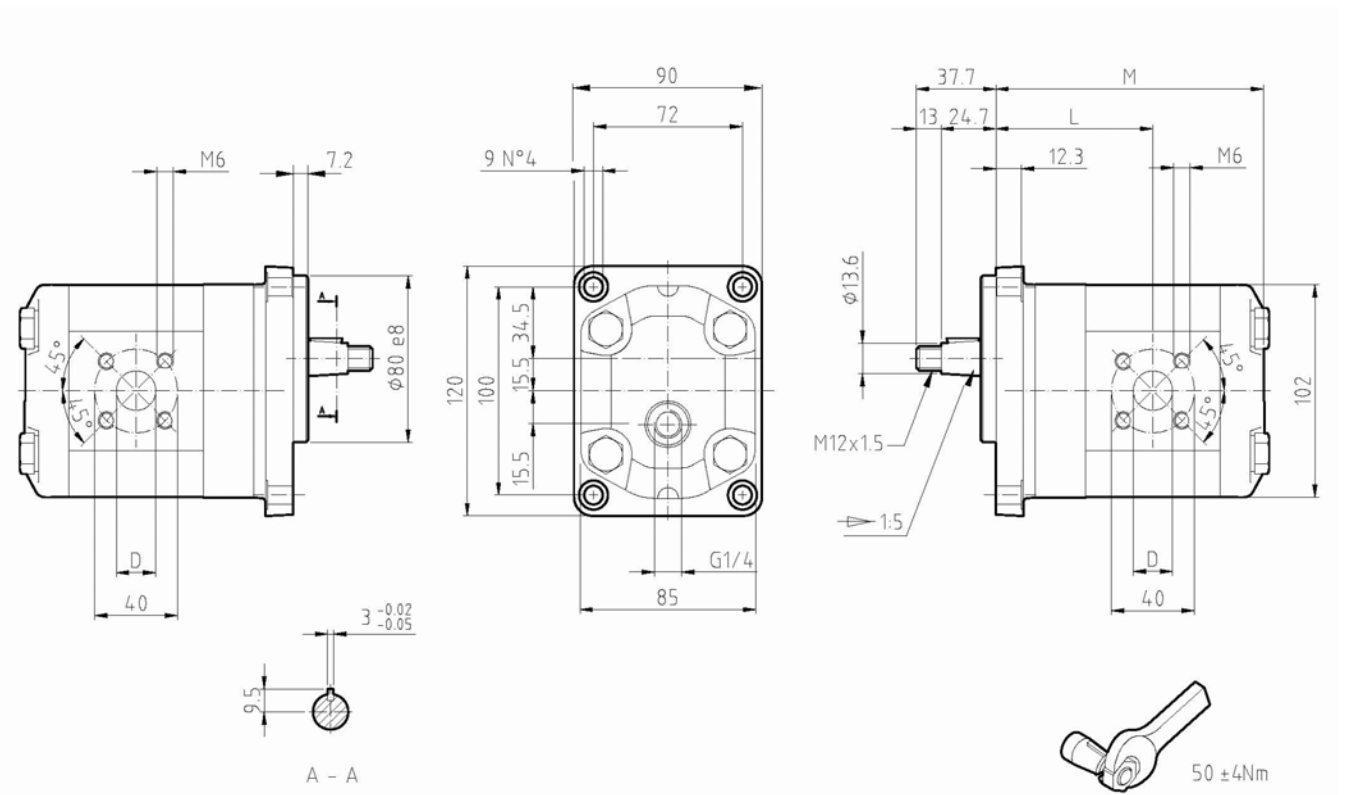
ALM2BK1 – T

Parti accessorie a corredo della pompa standard:
 linguetta a disco (codice 522055), dado M12x1.5
 (codice 523016), rosetta elastica spaccata (codice
 523005).
 Porte standard: filetti M6 profondità utile 13 mm.
 Drenaggio G1/4 profondità utile 12 mm.

Flangia in ghisa – coperchio in alluminio

Accessories supplied with the standard pump:
 woodruff key (code 522055),
 M12x1.5 exagonal nut (code 523016),
 Washer (code 523005).
 Standard ports: M6 threads depth 13 mm.
 G1/4 drain port thread depth 12 mm.

Cast iron flange – aluminium cover



TIPO TYPE	CILINDRATA DISPLACEMENT	PORTATA a 1500 giri/min FLOW at 1500 rev/min	PRESSIONI MASSIME MAX PRESSURE			VELOCITA' MASSIMA MAX SPEED	DIMENSIONI DIMENSIONS		
			P _I	P _C	P _P		L	M	D
	cm ³ /giro [cm ³ /rev]	litri/min [litres/min]	bar	bar	bar	giri/min [rpm]	mm	mm	mm
ALM2BK1-R-6-E1-T	4,5	6,4	250	240	270	4000	64.4	117.9	15
ALM2BK1-R-9-E1-T	6,4	9,1	250	240	270	4000	65.6	120.9	15
ALM2BK1-R-10-E1-T	7,0	10,0	250	240	270	4000	71.9	121.9	15
ALM2BK1-R-12-E1-T	8,3	11,8	250	240	270	4000	67.7	123.9	15
ALM2BK1-R-13-E1-T	9,6	13,7	250	240	270	4000	67.7	125.9	20
ALM2BK1-R-16-E1-T	11,5	16,4	230	220	250	4000	72.1	128.9	20
ALM2BK1-R-20-E1-T	14,1	20,1	230	220	250	4000	72.1	132.9	20
ALM2BK1-R-22-E1-T	16,0	22,8	210	200	225	4000	72.1	135.9	20
ALM2BK1-R-25-E1-T	17,9	25,5	210	200	225	4000	80.4	138.9	20
ALM2BK1-R-30-E1-T	21,1	30,1	180	170	195	3400	72.1	143.9	20
ALM2BK1-R-34-E1-T	23,7	33,7	180	170	195	3000	79.6	147.9	20
ALM2BK1-R-37-E1-T	25,5	36,4	170	160	185	2600	86.4	150.9	20
ALM2BK1-R-40-E1-T	28,2	40,1	160	150	170	2600	88.4	154.9	20