

ALP2BK1 – T

Parti accessorie a corredo della pompa standard:
 linguetta a disco (codice 522055), dado M12x1.5
 (codice 523016), rosetta elastica spaccata (codice
 523005).
 Porte standard: filetti M6 profondità utile 13 mm.

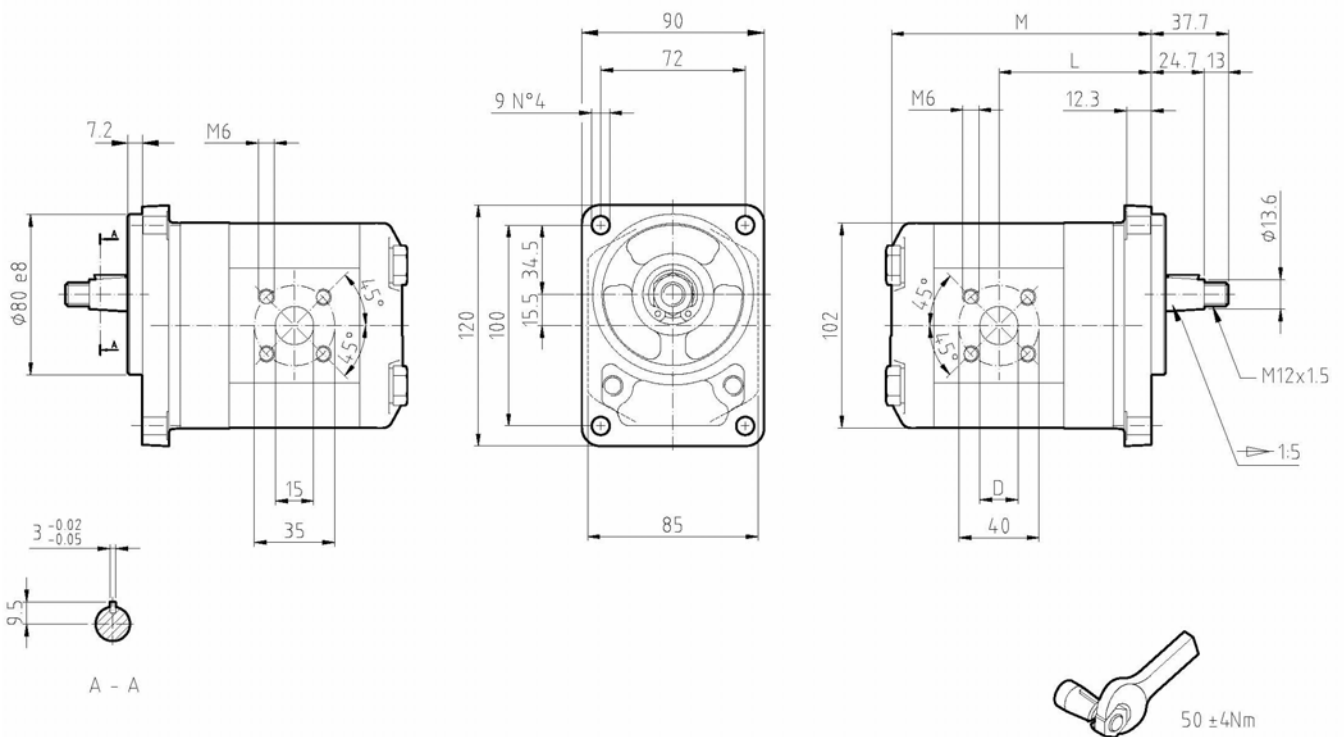
Flangia in ghisa – coperchio in alluminio

Accessories supplied with the standard pump:
 Woodruff key (code 522055),
 M12x1.5 exagonal nut (code 523016), washer (code
 523005).
 Standard ports: M6 threads depth 13 mm.

Cast iron flange – aluminium cover

MANDATA
OUTLET

ASPIRAZIONE
INLET



TIPO TYPE	CILINDRATA DISPLACEMENT	PORTATA a 1500 giri/min FLOW at 1500 rev/min	PRESSIONI MASSIME MAX PRESSURE			VELOCITA' MASSIMA MAX SPEED	DIMENSIONI DIMENSIONS		
			P1	P2	P3		L	M	D
	cm ³ /giro [cm ³ /rev]	litri/min [litres/min]	bar	bar	bar	giri/min [rpm]	mm	mm	mm
ALP2BK1-D-6-T	4,5	6,4	250	270	290	4000	64.4	111.9	15
ALP2BK1-D-9-T	6,4	9,1	250	270	290	4000	65.6	114.9	15
ALP2BK1-D-10-T	7,0	10,0	250	270	290	4000	71.9	115.9	15
ALP2BK1-D-12-T	8,3	11,8	250	270	290	4000	67.7	117.9	15
ALP2BK1-D-13-T	9,6	13,7	250	270	290	4000	67.7	119.9	20
ALP2BK1-D-16-T	11,5	16,4	230	250	270	4000	72.1	122.9	20
ALP2BK1-D-20-T	14,1	20,1	230	250	270	4000	72.1	126.9	20
ALP2BK1-D-22-T	16,0	22,8	210	225	240	4000	72.1	129.9	20
ALP2BK1-D-25-T	17,9	25,5	210	225	240	4000	80.4	132.9	20
ALP2BK1-D-30-T	21,1	30,1	180	195	210	3400	72.1	137.9	20
ALP2BK1-D-34-T	23,7	33,7	180	195	210	3000	79.6	141.9	20
ALP2BK1-D-37-T	25,5	36,4	170	185	200	2600	86.4	144.9	20
ALP2BK1-D-40-T	28,2	40,1	160	170	180	2600	88.4	148.9	20