

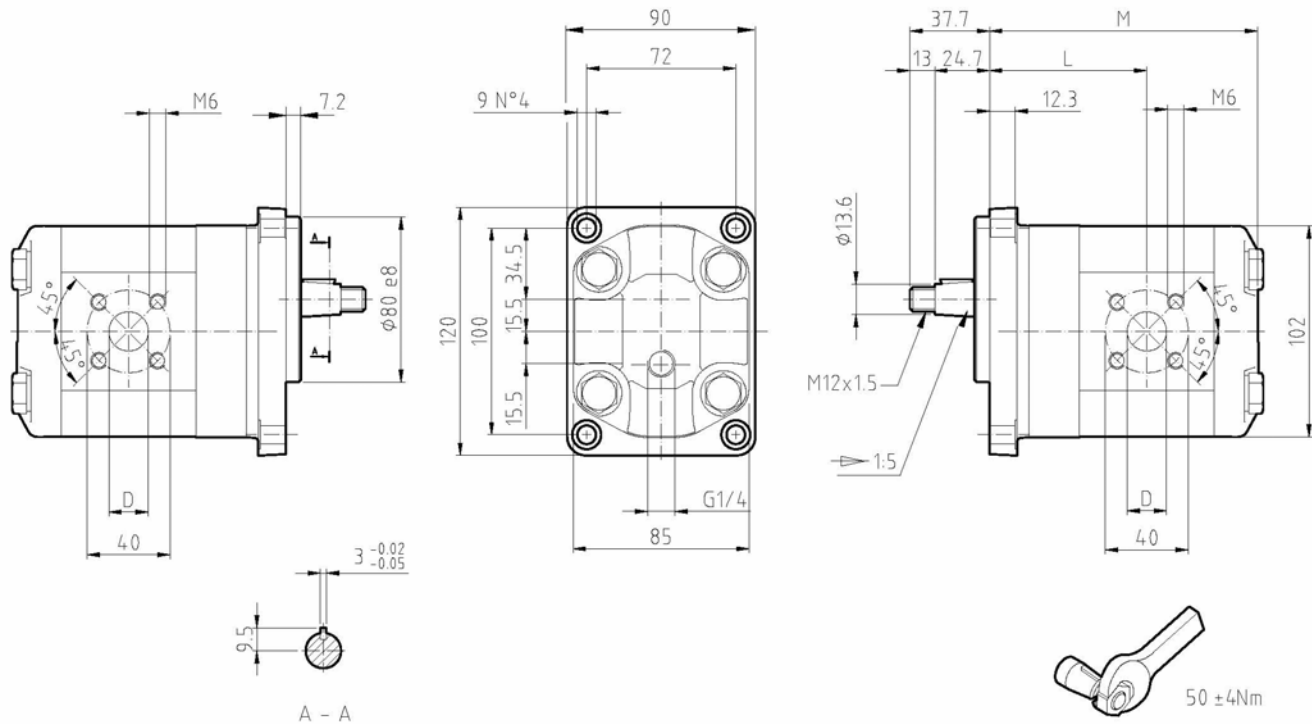
GHM2BK1 - T

Parti accessorie a corredo della pompa standard:
 linguetta a disco (codice 522055), dado M12x1.5
 (codice 523016), rosetta elastica spaccata (codice
 523005).
 Porte standard: filetti M6 profondità utile 13 mm.
 Drenaggio G1/4 profondità utile 12 mm.

Flangia in ghisa – coperchio in ghisa

Accessories supplied with the standard pump:
 woodruff key (code 522055),
 M12x1.5 exagonal nut (code 523016),
 Washer (code 523005).
 Standard ports: M6 threads depth 13 mm.
 G1/4 drain port thread depth 12 mm.

Cast iron flange – cast iron cover



| TIPO TYPE | CILINDRATA DISPLACEMENT | PORTATA a 1500 giri/min FLOW at 1500 rev/min | PRESSIONI MASSIME MAX PRESSURE | | | VELOCITA' MASSIMA MAX SPEED | DIMENSIONI DIMENSIONS | | |
|-------------------|--|---|-----------------------------------|----------------|----------------|--------------------------------|--------------------------|-------|----|
| | | | P _I | P _C | P _P | | L | M | D |
| | cm ³ /giro [cm ³ /rev] | litri/min [litres/min] | bar | bar | bar | giri/min [rpm] | mm | mm | mm |
| GHM2BK1-R-6-E1-T | 4,5 | 6,4 | 280 | 270 | 295 | 4000 | 64.4 | 116.4 | 15 |
| GHM2BK1-R-9-E1-T | 6.4 | 9,1 | 280 | 270 | 295 | 4000 | 65.6 | 119.4 | 15 |
| GHM2BK1-R-10-E1-T | 7,0 | 10,0 | 280 | 270 | 295 | 4000 | 71.9 | 120.4 | 15 |
| GHM2BK1-R-12-E1-T | 8,3 | 11,8 | 280 | 270 | 295 | 4000 | 67.7 | 122.4 | 15 |
| GHM2BK1-R-13-E1-T | 9,6 | 13,7 | 280 | 270 | 295 | 4000 | 67.7 | 124.4 | 20 |
| GHM2BK1-R-16-E1-T | 11,5 | 16,4 | 280 | 270 | 295 | 4000 | 72.1 | 127.4 | 20 |
| GHM2BK1-R-20-E1-T | 14,1 | 20,1 | 260 | 250 | 275 | 4000 | 72.1 | 131.4 | 20 |
| GHM2BK1-R-22-E1-T | 16,0 | 22,8 | 260 | 250 | 275 | 4000 | 72.1 | 134.4 | 20 |
| GHM2BK1-R-25-E1-T | 17,9 | 25,5 | 260 | 250 | 275 | 4000 | 80.4 | 137.4 | 20 |
| GHM2BK1-R-30-E1-T | 21,1 | 30,1 | 230 | 220 | 245 | 3400 | 72.1 | 142.4 | 20 |
| GHM2BK1-R-34-E1-T | 23,7 | 33,7 | 180 | 170 | 195 | 3000 | 79.6 | 146.4 | 20 |
| GHM2BK1-R-37-E1-T | 25,5 | 36,4 | 170 | 160 | 185 | 2600 | 86.4 | 149.4 | 20 |
| GHM2BK1-R-40-E1-T | 28,2 | 40,1 | 160 | 150 | 175 | 2600 | 88.4 | 153.4 | 20 |