

GHP2A - T

Parti accessorie a corredo della pompa standard:
linguetta (codice 522067).
Monta flangia 82-2 (A) secondo norma
SAE J744c.
Le porte standard "D" e "d" sono lavorate
secondo la specifica SAE J 1926/1 (ISO 11926-1)
relativa a porte filettate con tenuta O-ring.

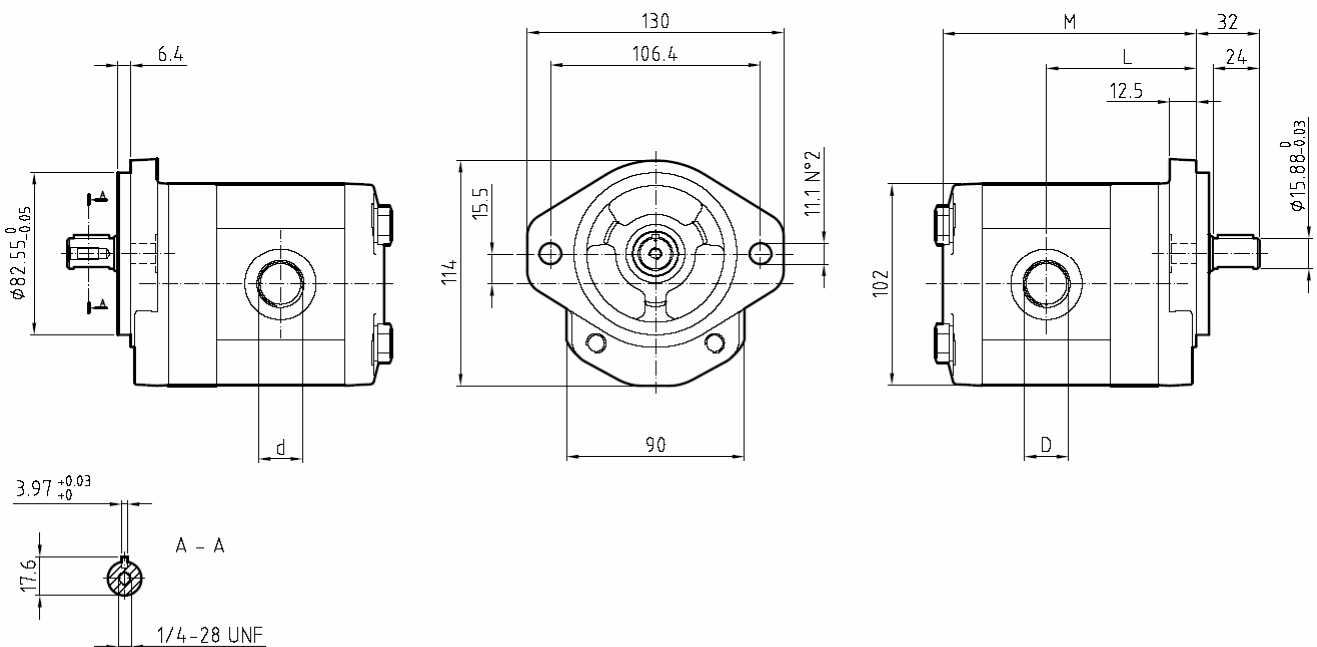
Flangia in ghisa – coperchio in ghisa

Accessories supplied with the standard pump:
key (code 522067).
Mounting flange 82-2 (A) in compliance with
SAE J744c.
"D" and "d" standard ports are machined
in compliance with threaded port with O-ring seal in
truncated housing SAE J 1926/1 (ISO 11926-1).

Cast iron flange – cast iron cover

MANDATA
OUTLET

ASPIRAZIONE
INLET



TIPO TYPE	CILINDRATA DISPLACEMENT	PORTATA a 1500 giri/min FLOW at 1500 rev/min	PRESSIONI MASSIME MAX PRESSURE			VELOCITA' MASSIMA MAX SPEED	DIMENSIONI DIMENSIONS			
			P1	P2	P3		L	M	d	D
	cm ³ /giro [cm ³ /rev]	litri/min [litres/min]	bar	bar	bar	giri/min [rpm]	mm	mm		
GHP2A-D-6-T	4,5	6,4	280	295	310	4000	66,9	110,4	7/8-14 UNF	1 1/16-12 UNF
GHP2A-D-9-T	6,4	9,1	280	295	310	4000	68,4	113,4	7/8-14 UNF	1 1/16-12 UNF
GHP2A-D-10-T	7,0	10,0	280	295	310	4000	68,9	114,4	7/8-14 UNF	1 1/16-12 UNF
GHP2A-D-12-T	8,3	11,8	280	295	310	4000	69,9	116,4	7/8-14 UNF	1 1/16-12 UNF
GHP2A-D-13-T	9,6	13,7	280	295	310	4000	70,9	118,4	7/8-14 UNF	1 1/16-12 UNF
GHP2A-D-16-T	11,5	16,4	280	295	310	4000	72,4	121,4	7/8-14 UNF	1 1/16-12 UNF
GHP2A-D-20-T	14,1	20,1	260	275	290	3200	74,4	125,4	7/8-14 UNF	1 1/16-12 UNF
GHP2A-D-22-T	16,0	22,8	260	275	290	2800	75,9	128,4	7/8-14 UNF	1 1/16-12 UNF
GHP2A-D-25-T	17,9	25,5	260	275	290	2500	77,4	131,4	7/8-14 UNF	1 1/16-12 UNF
GHP2A-D-30-T	21,1	30,1	230	245	260	2200	79,9	136,4	7/8-14 UNF	1 1/16-12 UNF
GHP2A-D-34-T	23,7	33,7	180	195	210	2000	81,9	140,4	7/8-14 UNF	1 1/16-12 UNF
GHP2A-D-37-T	25,5	36,4	170	185	200	1800	83,4	143,4	7/8-14 UNF	1 1/16-12 UNF
GHP2A-D-40-T	28,2	40,1	160	170	180	1800	85,4	147,4	7/8-14 UNF	1 1/16-12 UNF
GHP2A-D-50-T	35,2	50,2	120	130	140	1800	90,9	158,4	7/8-14 UNF	1 1/16-12 UNF