

GHP2A3

Parti accessorie a corredo della pompa standard: linguetta (codice 522068).
 Monta flangia 101-2 (B) secondo norma SAE J744c.

Le porte standard di aspirazione e mandata sono lavorate secondo la specifica SAE J1926/1 (ISO 11926-1) relativa a porte filettate con tenuta O-ring.

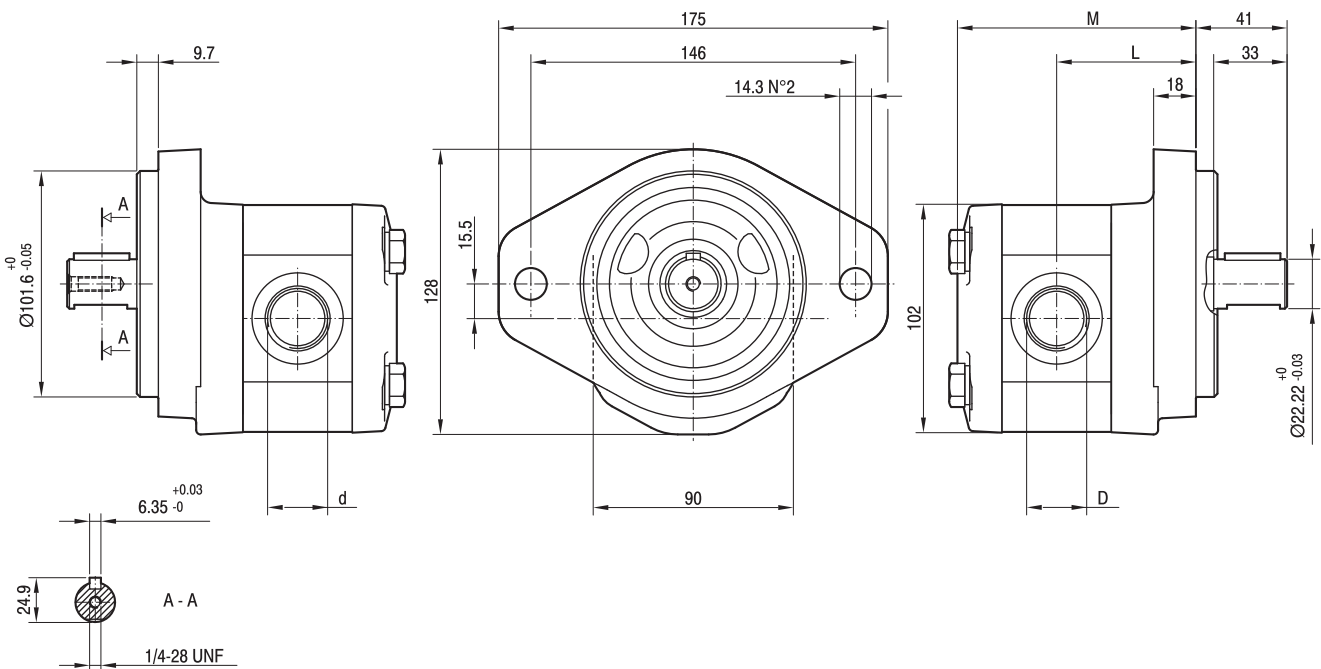
Accessories supplied with the standard pump: key (code 522068).

Mounting flange 101-2 (B) in compliance with SAE J744c.

Inlet and outlet standard ports are machined in compliance with threaded port with O-ring seal in truncated housing SAE J1926/1 (ISO 11926-1).

MANDATA
OUTLET

ASPIRAZIONE
INLET



TIPO TYPE	CILINDRATA DISPLACEMENT	PORTATA a 1500 giri/min FLOW at 1500 rev/min	PRESSIONI MASSIME MAX PRESSURE			VELOCITÀ MASSIMA MAX SPEED	DIMENSIONI DIMENSIONS			
			P ₁	P ₂	P ₃		L	M	d	D
	cm ³ /giro [cm ³ /rev]	litri/min [litres/min]	bar	bar	bar	giri/min [rpm]	mm	mm		
GHP2A3-D-6	4,5	6,4	280	295	310	4000	64,5	111	7/8-14 UNF	1 1/16-12 UNF
GHP2A3-D-9	6,4	9,1	280	295	310	4000	66	114	7/8-14 UNF	1 1/16-12 UNF
GHP2A3-D-10	7,0	10,0	280	295	310	4000	66,5	115	7/8-14 UNF	1 1/16-12 UNF
GHP2A3-D-12	8,3	11,8	280	295	310	4000	67,5	117	7/8-14 UNF	1 1/16-12 UNF
GHP2A3-D-13	9,6	13,7	280	295	310	4000	68,5	119	7/8-14 UNF	1 1/16-12 UNF
GHP2A3-D-16	11,5	16,4	280	295	310	4000	70	122	7/8-14 UNF	1 1/16-12 UNF
GHP2A3-D-20	14,1	20,1	260	275	290	3200	72	126	7/8-14 UNF	1 1/16-12 UNF
GHP2A3-D-22	16,0	22,8	260	275	290	2800	73,5	129	7/8-14 UNF	1 1/16-12 UNF
GHP2A3-D-25	17,9	25,5	260	275	290	2500	75	132	7/8-14 UNF	1 1/16-12 UNF
GHP2A3-D-30	21,1	30,1	230	245	260	2200	77,5	137	7/8-14 UNF	1 1/16-12 UNF
GHP2A3-D-34	23,7	33,7	230	245	260	2000	79,5	141	7/8-14 UNF	1 1/16-12 UNF
GHP2A3-D-37	25,5	36,4	210	225	240	1800	81	144	7/8-14 UNF	1 1/16-12 UNF
GHP2A3-D-40	28,2	40,1	200	215	230	1800	83	148	7/8-14 UNF	1 1/16-12 UNF
GHP2A3-D-50	35,2	50,2	160	175	190	1800	88,5	159	7/8-14 UNF	1 5/16-12 UNF