

# GHP3A-FA-KA

Parti accessorie a corredo della pompa standard: linguetta (codice 522068).

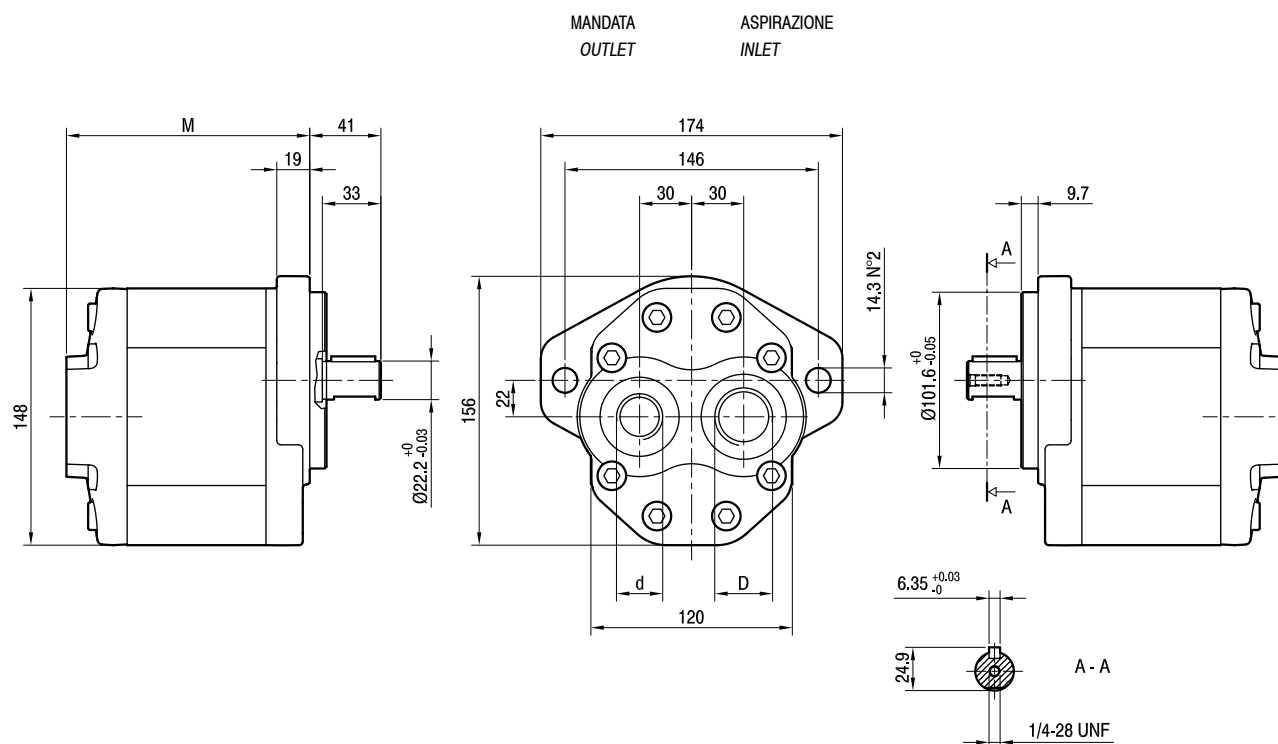
Monta flangia 101-2 (B) secondo norma SAE J744c.

Le porte "D" e "d" sono lavorate secondo la specifica SAE J1926/1 (ISO 11926-1) relativa a porte filettate con tenuta O-ring.

Accessories supplied with the standard pump: key (code 522068).

Mounting flange 101-2 (B) in compliance with SAE J744c.

"D" and "d" ports are machined in compliance with threaded port with O-ring seal in truncated housing SAE J1926/1 (ISO 11926-1).



TIPO TYPE	CILINDRATA DISPLACEMENT	PORTATA a 1500 giri/min FLOW at 1500 rev/min	PRESSIONI MASSIME MAX PRESSURE			VELOCITÀ MASSIMA MAX SPEED	DIMENSIONI DIMENSIONS		
			P <sub>1</sub>	P <sub>2</sub>	P <sub>3</sub>		M	d	D
	cm <sup>3</sup> /giro [cm <sup>3</sup> /rev]	litri/min [litres/min]	bar	bar	bar	giri/min [rpm]	mm		
GHP3A-D-30-FA-KA	20	29	280	295	310	3500	140	1 1/16-12 UNF	1 5/16-12 UNF
GHP3A-D-33-FA-KA	22	31	280	295	310	3500	141	1 1/16-12 UNF	1 5/16-12 UNF
GHP3A-D-40-FA-KA	26	37	280	295	310	3300	144	1 1/16-12 UNF	1 5/16-12 UNF
GHP3A-D-50-FA-KA	33	48	270	285	300	3300	149	1 1/16-12 UNF	1 5/16-12 UNF
GHP3A-D-60-FA-KA	39	56	260	275	290	3000	153	1 1/16-12 UNF	1 5/8-12 UNF
GHP3A-D-66-FA-KA	44	62	250	265	280	2800	156	1 1/16-12 UNF	1 5/8-12 UNF
GHP3A-D-80-FA-KA	52	74	230	245	260	2500	162	1 1/16-12 UNF	1 5/8-12 UNF
GHP3A-D-94-FA-KA	61	87	210	225	240	2800	168	1 5/16-12 UNF	1 7/8-12 UNF
GHP3A-D-110-FA-KA	71	101	200	215	230	2500	175	1 5/16-12 UNF	1 7/8-12 UNF
GHP3A-D-120-FA-KA	78	112	180	195	210	2300	180	1 5/16-12 UNF	1 7/8-12 UNF
GHP3A-D-135-FA-KA	87	124	160	175	190	2000	186	1 5/16-12 UNF	1 7/8-12 UNF