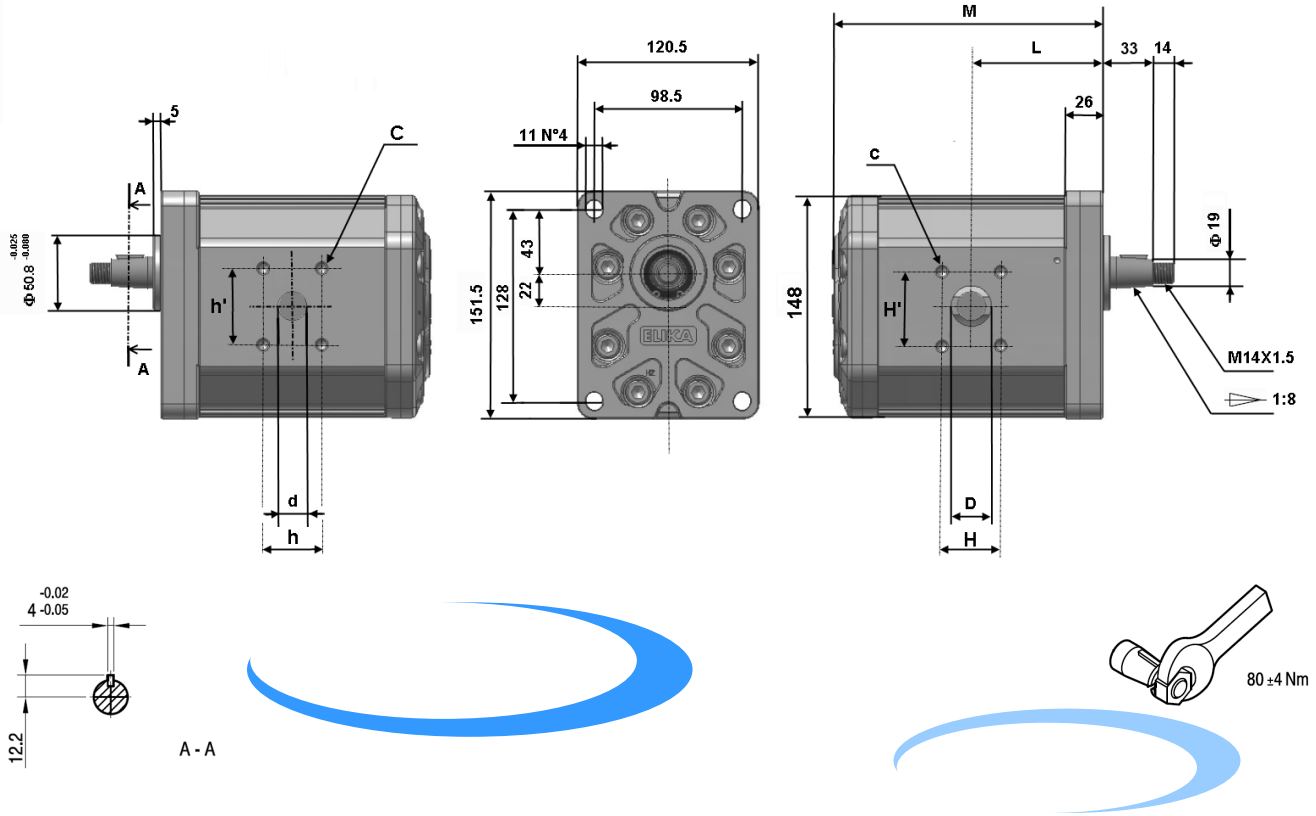


# ELI3

**Outlet**
**Inlet**


| Pump Type | Displ. [cm <sup>3</sup> /rev] | Flow at 1500 rpm [l/min] | Operating pressures |                        |                   | Rotation speed      |                     | Noise at 1500 rpm * |             | Dimensions |        |        |             |        |             |
|-----------|-------------------------------|--------------------------|---------------------|------------------------|-------------------|---------------------|---------------------|---------------------|-------------|------------|--------|--------|-------------|--------|-------------|
|           |                               |                          | P1 Max cont. [bar]  | P2 Max intermit. [bar] | P3 Max peak [bar] | Minimum speed [rpm] | Maximum speed [rpm] | On recirc. [dBA]    | at P1 [dBA] | L [mm]     | M [mm] | D [mm] | H / H' [mm] | d [mm] | h/h' [mm]   |
| ELI3-20.4 | 20.4                          | 30.7                     | 280                 | 295                    | 310               | 300                 | 3500                | 49                  | 59          | 62.8       | 129.5  | 25     | 26.2 / 52.4 | 19     | 22.2 / 47.6 |
| ELI3-21.6 | 21.6                          | 32.4                     | 280                 | 295                    | 310               | 300                 | 3500                | 49                  | 59          | 63.3       | 130.5  | 25     | 26.2 / 52.4 | 19     | 22.2 / 47.6 |
| ELI3-26.3 | 26.3                          | 39.4                     | 280                 | 295                    | 310               | 300                 | 3500                | 49                  | 59          | 65.3       | 134.5  | 25     | 26.2 / 52.4 | 19     | 22.2 / 47.6 |
| ELI3-33.3 | 33.3                          | 50.0                     | 270                 | 285                    | 300               | 300                 | 3500                | 50                  | 60          | 68.3       | 140.5  | 31.5   | 30.2 / 58.7 | 25     | 26.2 / 52.4 |
| ELI3-39.1 | 39.1                          | 58.7                     | 260                 | 275                    | 290               | 300                 | 3500                | 50                  | 60          | 70.8       | 145.5  | 31.5   | 30.2 / 58.7 | 25     | 26.2 / 52.4 |
| ELI3-43.2 | 43.2                          | 64.8                     | 250                 | 265                    | 280               | 200                 | 3500                | 51                  | 61          | 72.5       | 149.0  | 31.5   | 30.2 / 58.7 | 25     | 26.2 / 52.4 |
| ELI3-52.0 | 52.0                          | 78.0                     | 230                 | 245                    | 260               | 200                 | 3500                | 51                  | 61          | 76.3       | 156.5  | 31.5   | 30.2 / 58.7 | 31.5   | 30.2 / 58.7 |
| ELI3-60.8 | 60.8                          | 91.1                     | 210                 | 225                    | 240               | 200                 | 3300                | 51                  | 62          | 80.0       | 164.0  | 31.5   | 30.2 / 58.7 | 31.5   | 30.2 / 58.7 |
| ELI3-64.3 | 64.3                          | 96.4                     | 210                 | 225                    | 240               | 200                 | 3200                | 51                  | 62          | 81.5       | 167.0  | 31.5   | 30.2 / 58.7 | 31.5   | 30.2 / 58.7 |
| ELI3-70.7 | 70.7                          | 106.0                    | 200                 | 215                    | 230               | 200                 | 2900                | 52                  | 63          | 84.3       | 172.5  | 38     | 69.9 / 35.7 | 31.5   | 30.2 / 58.7 |
| ELI3-78.3 | 78.3                          | 117.4                    | 180                 | 195                    | 210               | 200                 | 2600                | 52                  | 63          | 87.5       | 179.0  | 38     | 69.9 / 35.7 | 31.5   | 30.2 / 58.7 |
| ELI3-87.1 | 87.1                          | 130.6                    | 160                 | 175                    | 190               | 200                 | 2400                | 52                  | 63          | 91.3       | 186.5  | 38     | 69.9 / 35.7 | 31.5   | 30.2 / 58.7 |

Accessories supplied with the standard pump: woodruff key (code 522058), M14x1.5 hexagonal nut (code 523017), washer (code 523006). Standard ports: M10, M12 threads depth 20 mm. Please strictly follow assembly and use indications given in this catalogue for top performance and longer life of the ELI Marzocchi series. It is also very important to equip the hydraulic system with a proper filtering unit.